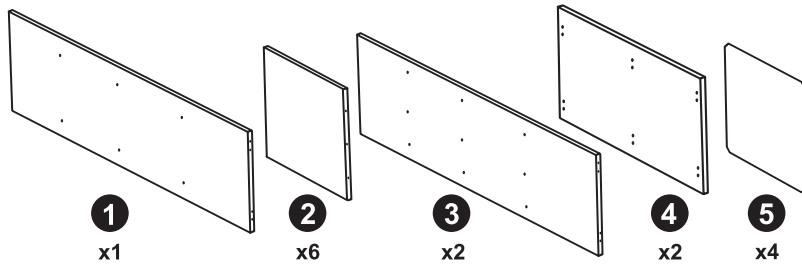


2 x 4 Cube Compact (12mm) ASSEMBLY INSTRUCTIONS

Assembled Size: 1210mm High x 610mm Wide x 295mm Deep. Internal Cube Size: 285mm High x 285mm Wide x 295mm Deep

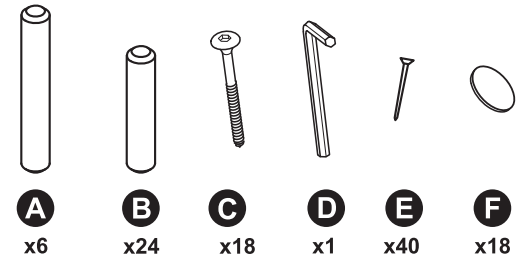
The only tools you require are an Allen key (supplied in Hardware Kit) and a small hammer

LIST OF PARTS



Note: All panels here are showing the internal view hole configurations.

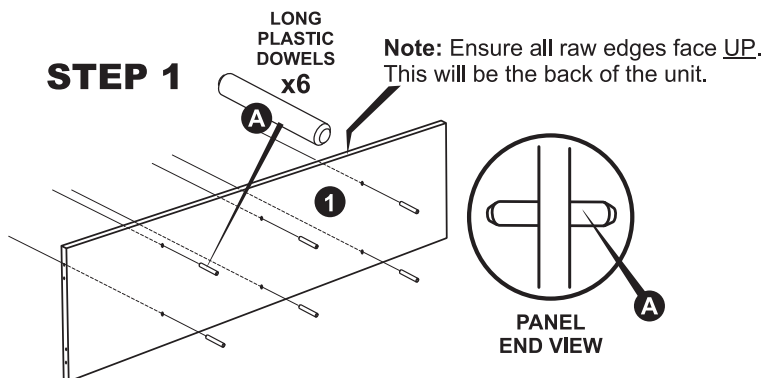
Hardware Kit



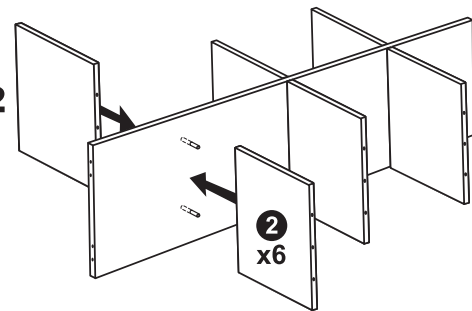
Hints: Assemble on a flat, clean, protected surface.
Fit panels together by tapping with hand to seat in place.

WARNING
• CHOKING HAZARD - This product contains small parts.

STEP 1



STEP 2



STEP 3

