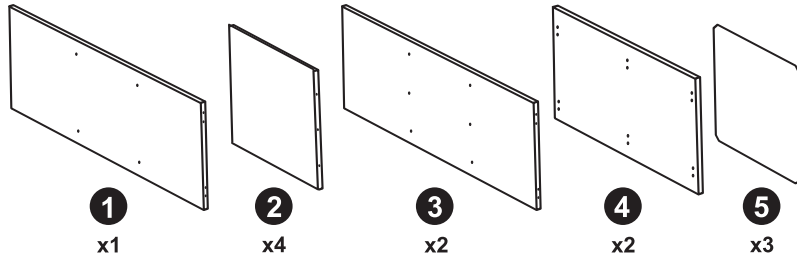


Assembled Size: 910mm High x 610mm Wide x 295mm Deep. Internal Cube Size: 285mm High x 285mm Wide x 295mm Deep

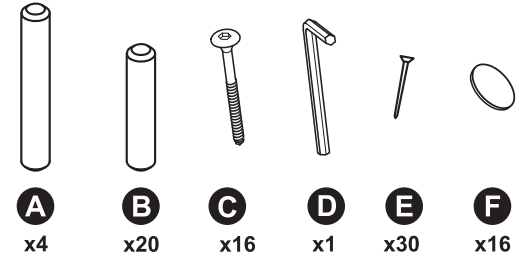
The only tools you require are an Allen key (supplied in Hardware Kit) and a small hammer

LIST OF PARTS



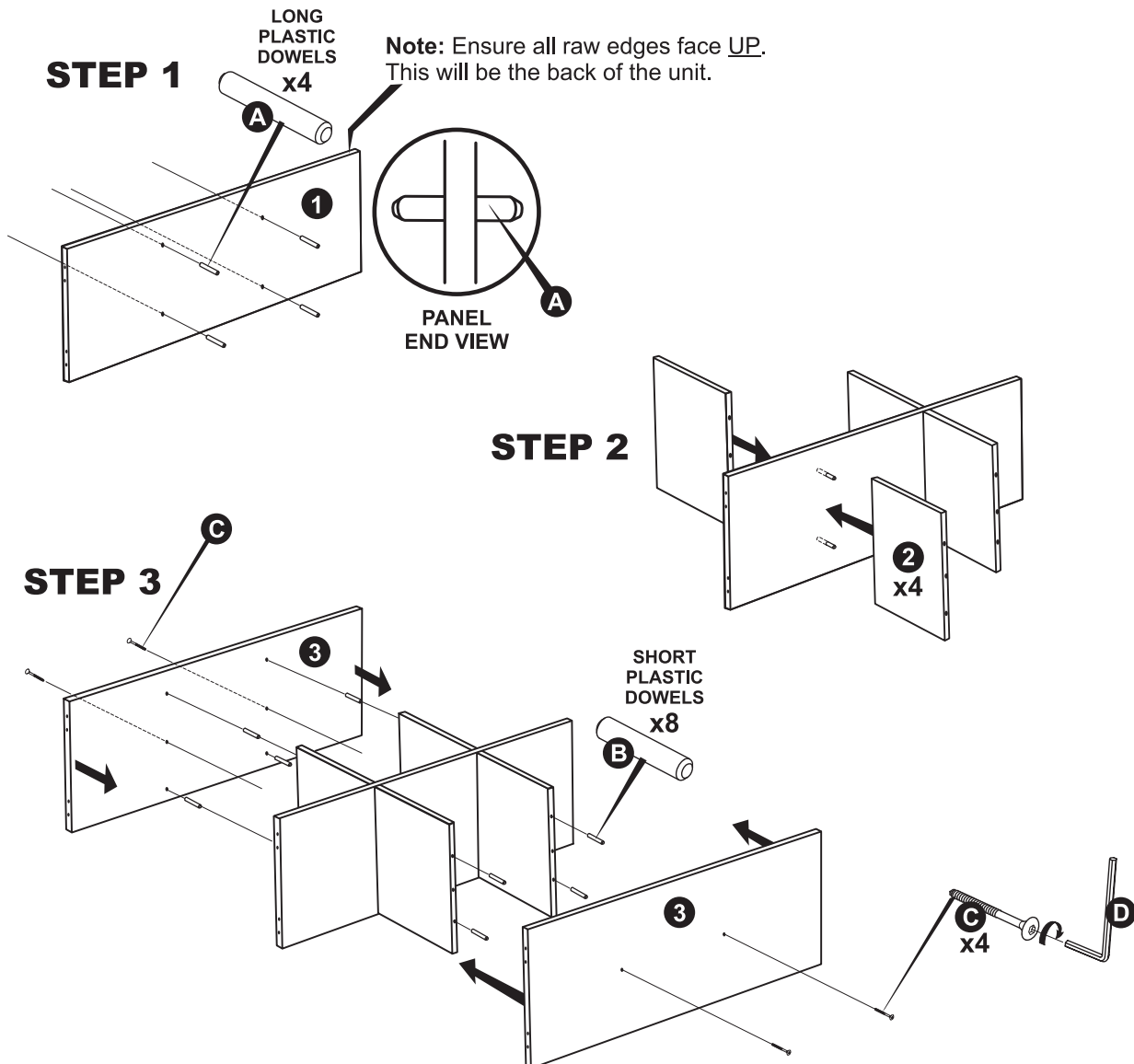
Note: All panels here are showing the internal view hole configurations.

Hardware Kit



Hints: Assemble on a flat, clean, protected surface.
Fit panels together by tapping with hand to seat in place.

WARNING
• CHOKING HAZARD - This product contains small parts.



**2 x 3 Cube Compact (12mm)
ASSEMBLY INSTRUCTIONS**

