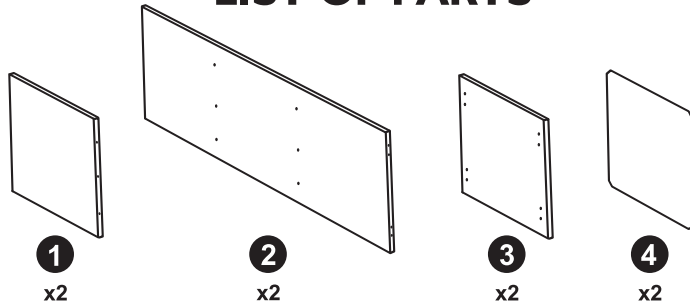


**1 x 3 Cube Compact (12mm)  
ASSEMBLY INSTRUCTIONS**

Assembled Size: 910mm High x 310mm Wide x 295mm Deep. Internal Cube Size: 285mm High x 285mm Wide x 295mm Deep

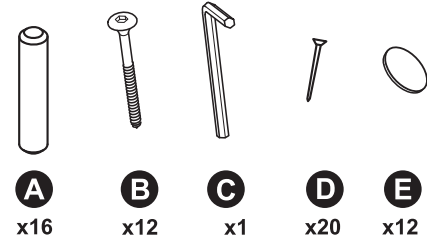
The only tools you require are an Allen key (supplied in Hardware Kit) and a small hammer

**LIST OF PARTS**



**Note:** All panels here are showing the internal view hole configurations.

**Hardware Kit**

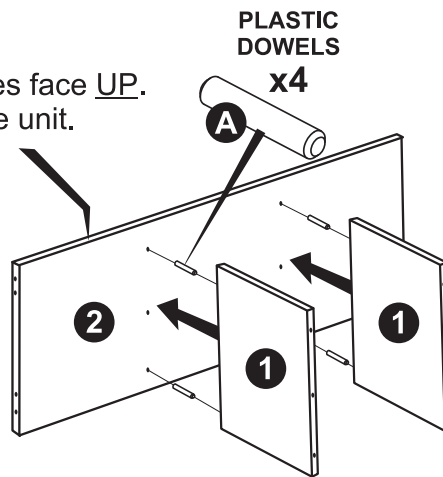


**Hints:** Assemble on a flat, clean, protected surface.  
Fit panels together by tapping with hand to seat in place.

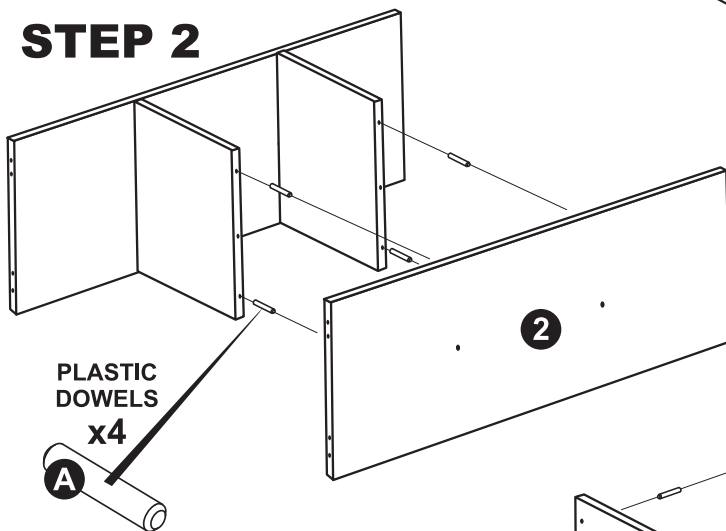
**WARNING**  
• CHOKING HAZARD - This product contains small parts.

**STEP 1**

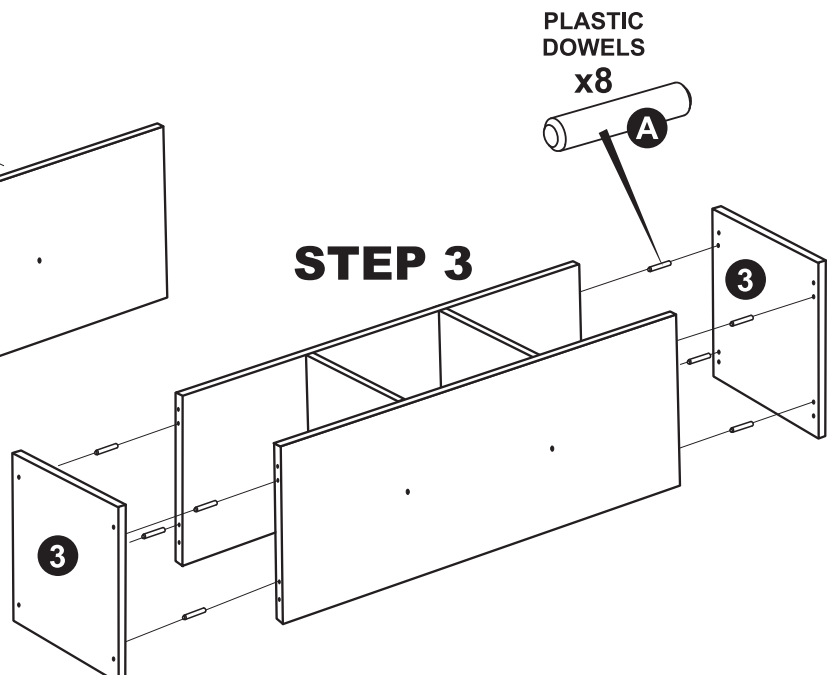
**Note:** Ensure all raw edges face UP.  
This will be the back of the unit.



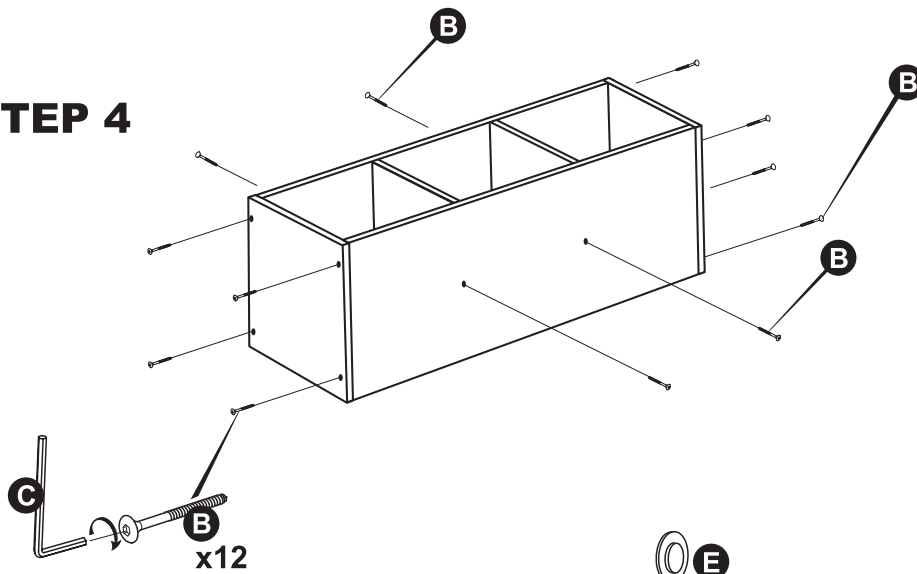
**STEP 2**



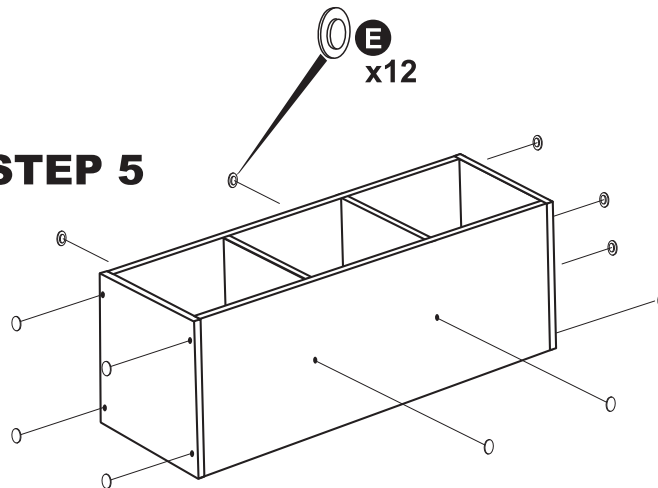
**STEP 3**



**STEP 4**



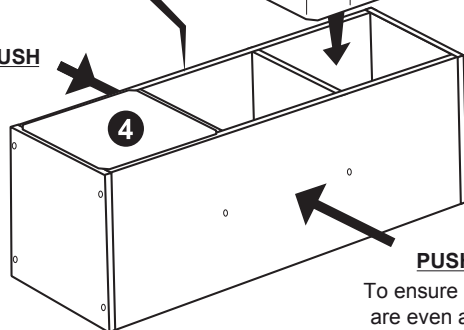
**STEP 5**



**STEP 6**

**IMPORTANT:**  
Raw side facing UP.

**PUSH**



**ATTACH BACK PANEL:**

10 nails per back panel,  
positioned evenly around edge  
as shown.

**NOTE:**

Place nails towards the centre  
of the edge of the panel  
to avoid splitting

**PUSH:**

To ensure all joints  
are even and unit  
is square

