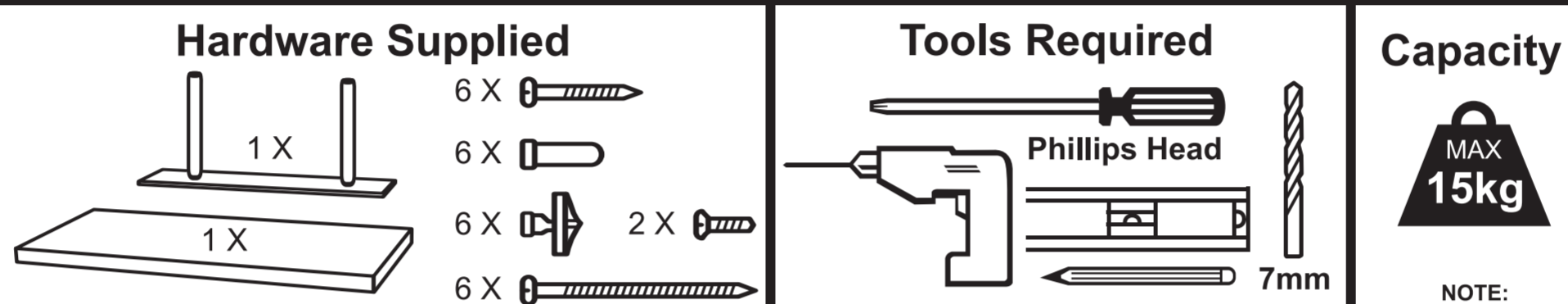


Floating Shelf

Installation Instructions



HELPFUL HINTS:

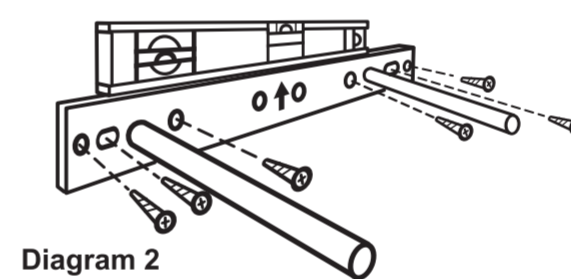
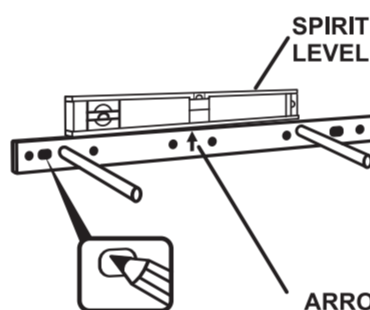
Read through instructions before commencing installation.

Screws and fixings for both masonry and stud walls are included.
Use only the 6 holes in the bracket that best suit your fixing application.

Step 1

Position bracket at desired height against the wall, and using a pencil, mark the 8 holes.

NOTES: Make sure the arrow on the bracket points up.
Use a spirit level to ensure bracket is level.
(See Diagram 1)

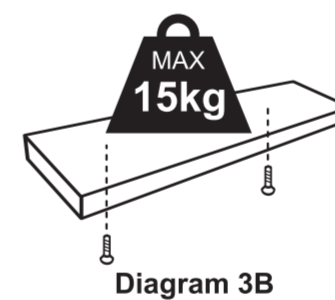
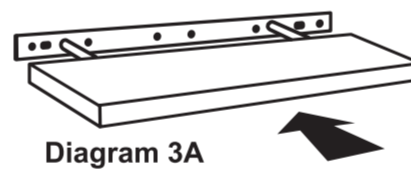


Step 2

Drill holes into the wall using a 7mm drill bit.
Fit the wall plugs or anchors supplied.

NOTES: If the wall has no studs, use the wall anchors

Fix the bracket using the 6 long screws provided and a Phillips head screwdriver.
(See Diagram 2)



Step 3

Slide the shelf onto the 2 tubes on the bracket.

NOTE: The 2 holes on the shelf face are to point down. (See Diagram 3A)

Fix the shelf to the bracket by fitting the 2 countersunk head screws from underneath.

NOTE: Don't over-tighten.
(See Diagram 3B)

FIXING HINTS

If fixing to a Gyprock (cavity) wall, we recommend locating and attaching to stud(s) for maximum strength, where available.

NOTE

For safety, the bracket pipes are angled slightly upward to prevent shelf droop when shelf is loaded to capacity.